

ISL Series

Single Phase Isolimiter 7.5kVA - 100kVA

The ISL Series Ferroresonant regulating transformers are housed in a single system enclosure. These units are designed to accept a widely varying AC input voltage, while simultaneously producing a well regulated, filtered AC output. ISL Series units have a unique characteristic of being short circuit protected so that overloads and short circuits on the secondary side are not reflected back to the primary.



Shown with optional
meters and breakers

- ◆ High reliability - exceeds 160,000 hours (20 years)
MTBF - useful life over 35 years
- ◆ Constructed with entirely passive magnetic components
- ◆ Provides unparalleled attenuation of common and transverse mode noise
- ◆ Low audible noise <65dBA
- ◆ High efficiency
- ◆ 1/4 cycle output ride-through
- ◆ Compatible with non-linear loads
- ◆ Industrial grade - built to operate in extreme environmental conditions
- ◆ For use with Inverter/UPS systems, or in stand alone applications

Model	kVA	Input Amps*				Input Circuit Breaker Ampacity				Output Amps*			Heat Loss BTU/Hr	Dimensions - Inches (mm)			Weight Lbs (kg)		
		120	480	220	380	120	480	220	380	120	480	220		H	x	W		x	D
ISL1007	7.5	72	18	40	23	125	30	60	40	62	16	34	3824	57	x	29	x	28	500 (227)
ISL1010	10	95	23	52	30	150	40	80	50	83	21	45	4654	57	x	29	x	28	525 (238)
ISL1015	15	142	35	77	45	225	60	125	70	125	31	68	6979	57	x	29	x	28	625 (284)
ISL1020	20	187	46	102	59	300	70	150	90	167	42	90	8434	78	x	29	x	32	850 (386)
ISL1025	25	234	58	128	74	350	90	200	125	208	52	114	10542	78	x	29	x	32	975 (442)
ISL1030	30	278	70	151	88	450	125	225	150	250	63	136	11373	78	x	29	x	32	1150 (522)
ISL1037	37.5	343	87	187	108	600	125	300	175	312	78	170	12654	78	x	56	x	32	1400 (635)
ISL1050	50	458	116	250	145	700	175	400	225	416	104	227	16872	85	x	56	x	36	1700 (771)
ISL1075	75	----	177	387	224	----	300	600	400	625	156	341	34895	85	x	56	x	36	3750 (1701)
ISL 1100	100	----	231	505	292	----	350	800	500	833	207	455	37911	85	x	56	x	36	4550 (2064)

* At Nominal Line

Certain optional features and/or combinations may require larger cabinets. Contact factory.

General Specifications

Isolimiter

AC Input

Voltage: 120, 220, 380, 480 1-phase
 Range: -15% to +10%
 Frequency*: 60Hz \pm 1%

AC Output

Voltage: 120, 220, 380, 480 1-phase
 Regulation: \pm 2%
 Frequency*: 60Hz
 Load Power Factor: 0.8 to 1.0
 Harmonic Distortion: < 5% THD
 Overload: 150% to 200% fault clearing

Also available in 120/240VAC 3-wire, 60 HZ and 600VAC, 60Hz. Consult factory.

Transformer

Noise Attenuation: 120dB common mode
 80dB transverse mode
 Construction: All Copper windings,
 electrostatic shield

*50Hz available, contact factory

**Alarms provide one SPDT contact rated for 3 Amps at 120VAC

Consult factory for additional options

Environmental

Ambient Temperature: 0°C to 40°C (32°F to 104°F)
 Relative Humidity: 0 - 95% non-condensing
 Operating Altitude: 0 - 3000 meters (10,000 ft)
 Audible Noise: 68-78dB (A)@ 1.5m typical
 Addition of drip shield may increase the noise by 1-3dB (A)
 Cooling: Convection < 37.5kVA
 Forced Air > 50 kVA

Cable Entry

Top or Bottom

Efficiency

>88% at full load

Standard Features

Circuit Breakers:

AC Input

Indicators & Alarms**:

Fan Failure (>50 kVA)

Optional Features

Circuit Breakers:

AC Output

Meters:

Voltmeters
 Ammeters
 Frequency Meters

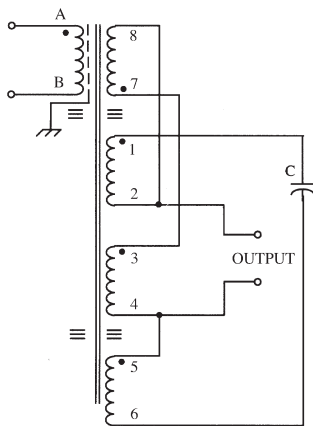
Indicators & Alarms**:

Over Temperature
 Low AC Output
 High AC Output
 AC Output Overload

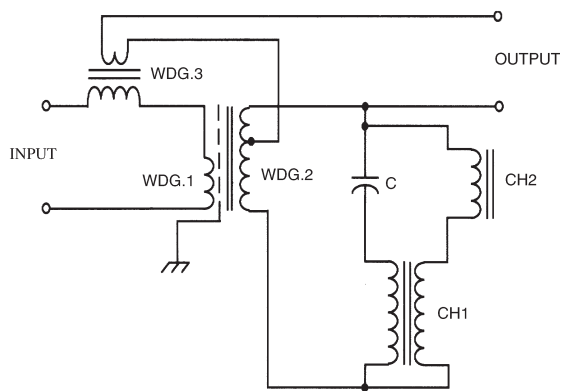
Isolimiter Block Diagrams

Specifications subject to change without notice

< 50kVA



>75kVA



AMETEK
 SOLIDSTATE CONTROLS

The Columbus, Ohio facility
 is ISO 9001 Certified

World Headquarters

875 Dearborn Drive - Columbus, OH 43085
 Phone: 1-614-846-7500 1-800-635-7300
 Fax: 1-614-885-3990

Latin American/South American Headquarters

Olive 1954 2000 Rosario, Argentina
 Phone: +54-341-455-3332
 Fax: +54-341-454-0142

Asia Pacific Headquarters

AMETEK Singapore Office
 Solidstate Controls
 43 Changi South Ave 2 #04-01
 Singapore 486164
 Phone: 65-6484-2388 Fax: 65-6481-6588

Mexico Office

Calle Lago Meru
 No.32 3rd Floor
 Mexico City, Mexico 11520 D.F.
 Phone: +52-555-250-1232
 Fax: +52-555-250-7981

Visit our websites:

English-www.solidstatecontrolsinc.com -Nuclear-www.nuclearups.com -Spanish- www.solidstatecontrolsinc-esp.com
 Russian- www.solidstatecontrolsinc-ru.com Chinese- www.solidstatecontrolsinc-chn.com
 Brazilian Portuguese- www.solidstatecontrolsinc-bz.com